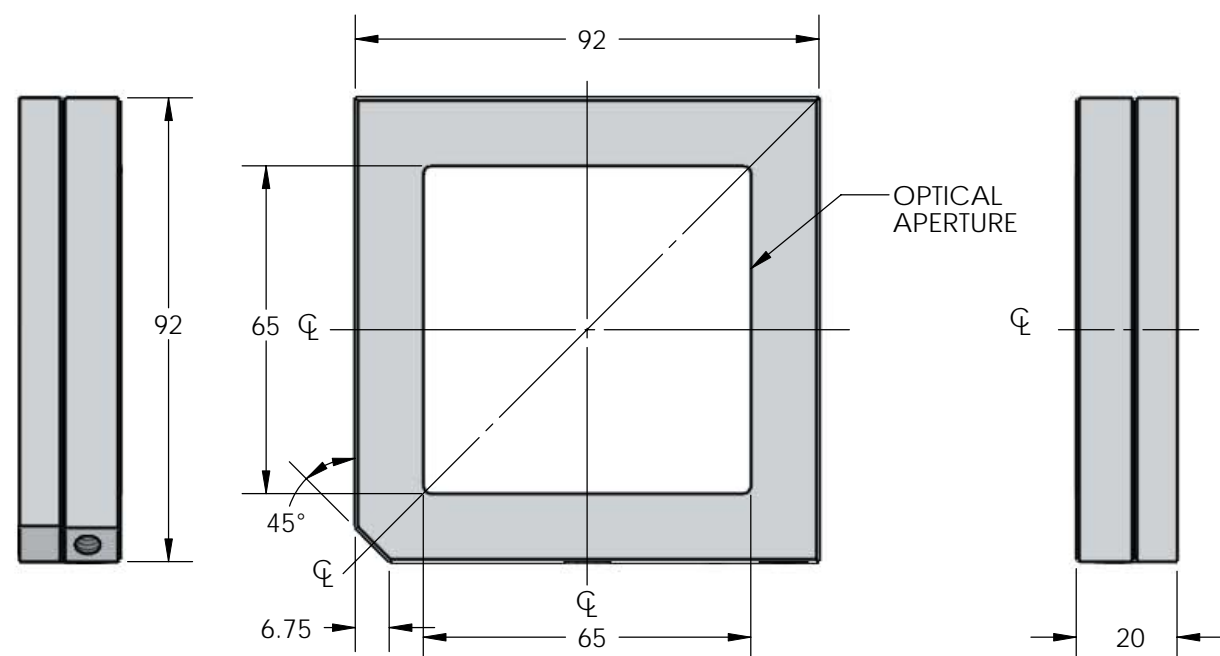
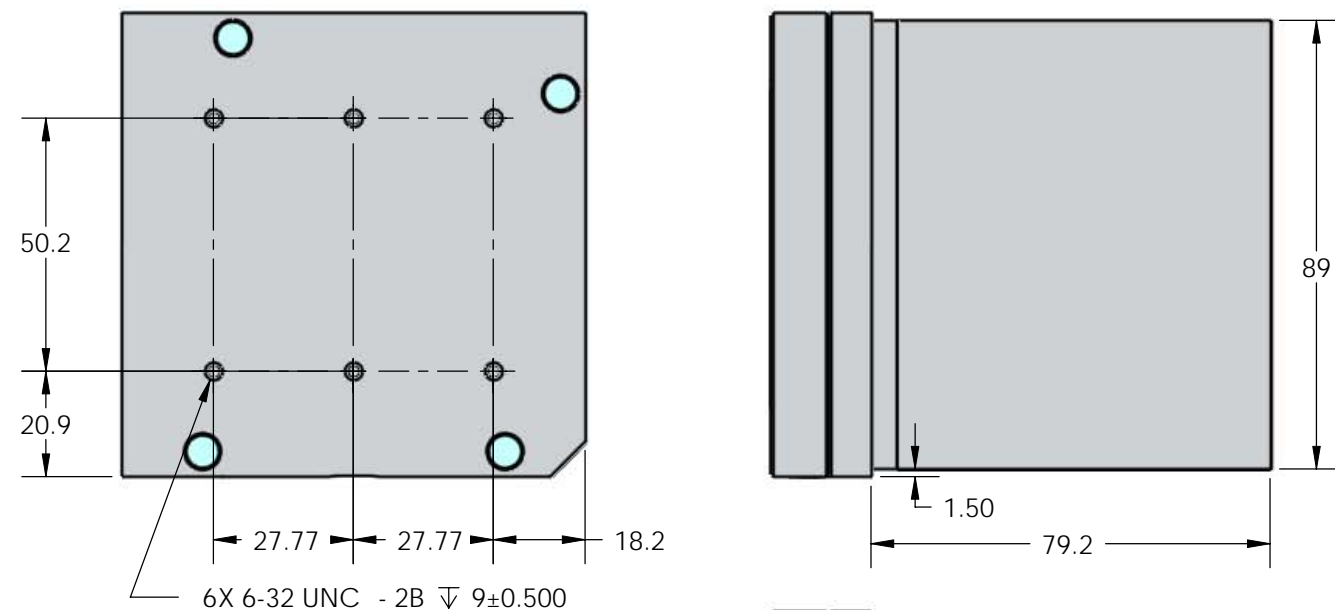


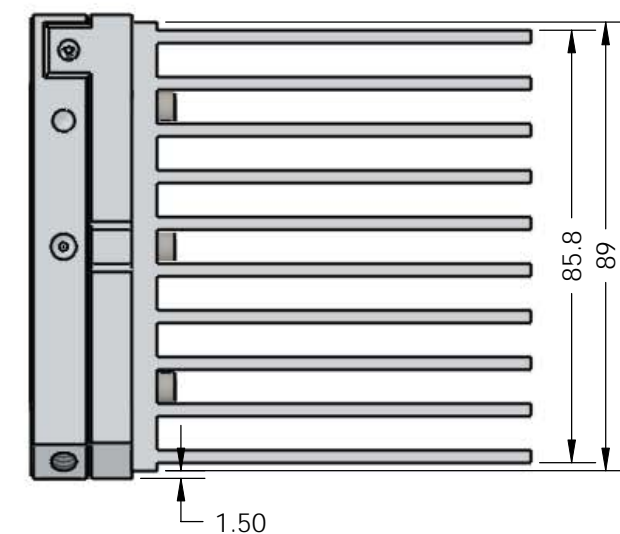
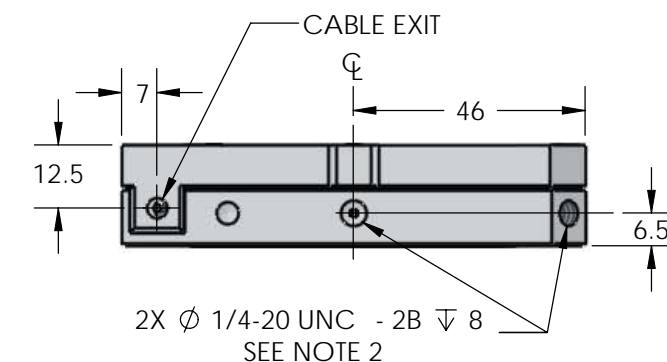
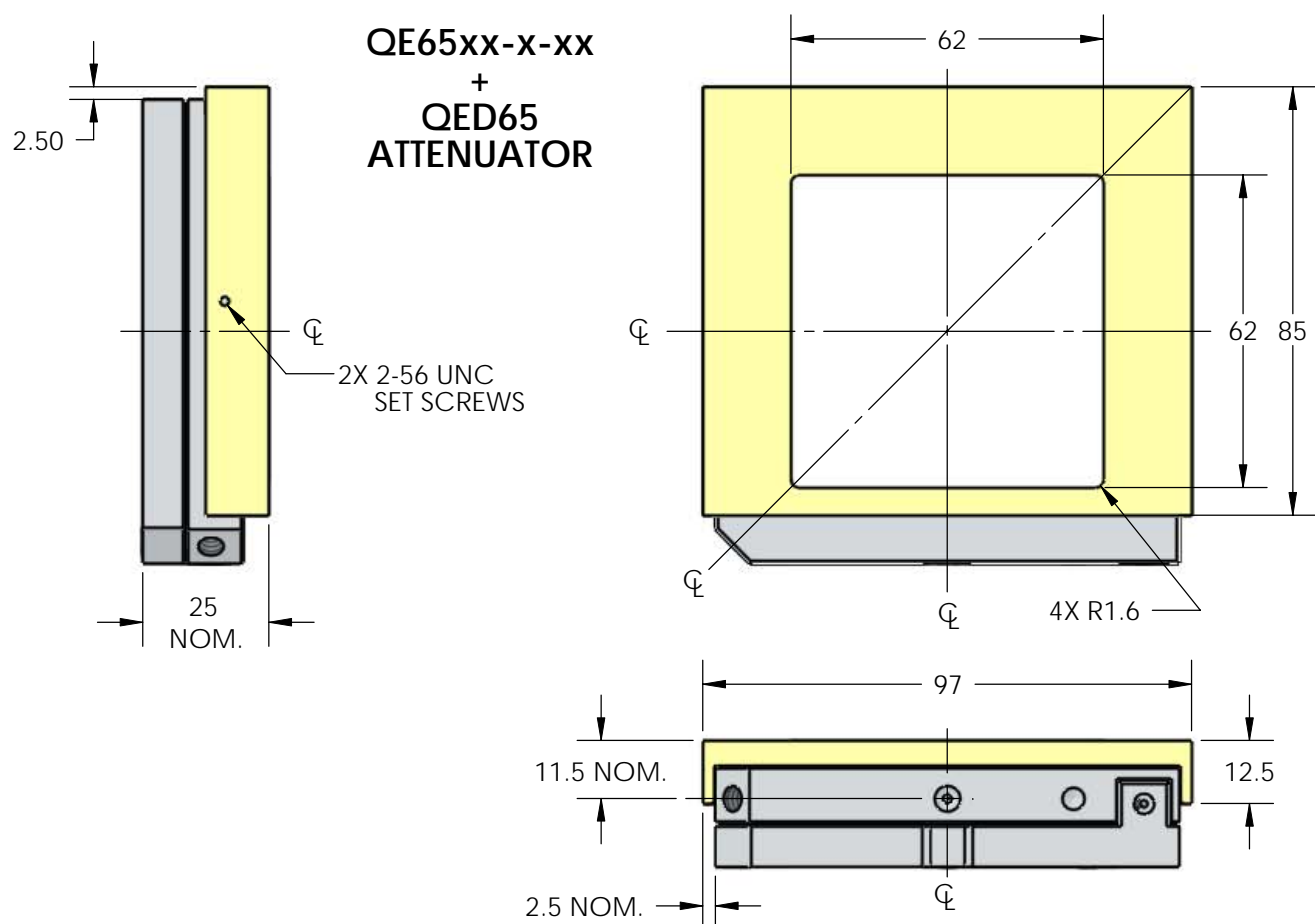
QE65xx-S-xx



QE65xx-H-xx

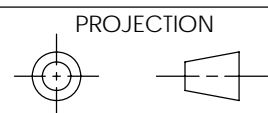


QE65xx-x-xx
+
QED65
ATTENUATOR



NOTES:
1- DIMENSIONS IN mm
2- FOR MOUNTING POST

IMPORTANT:
THIS DOCUMENT
IS PROPERTY OF
GENTEC ELECTRO-
OPTICS, IT CANNOT
BE DISTRIBUTED, USED
OR REPRODUCED IN
WHOLE OR IN PART
WITHOUT EXPRESS
WRITTEN AUTHORIZATION



REF.	REVISION	DATE	VER	APP
TOLERANCE				
DEC.	±			
FRAC.	±			
ANGLE	±			
APP.				
VER.				
	Ronald VH			
DATE	2010/02/23			
	2:3			
gentec-e				
LAYOUT DRAWING JouleMeter and Attenuator QE65 SERIES				
SK-9009				A3